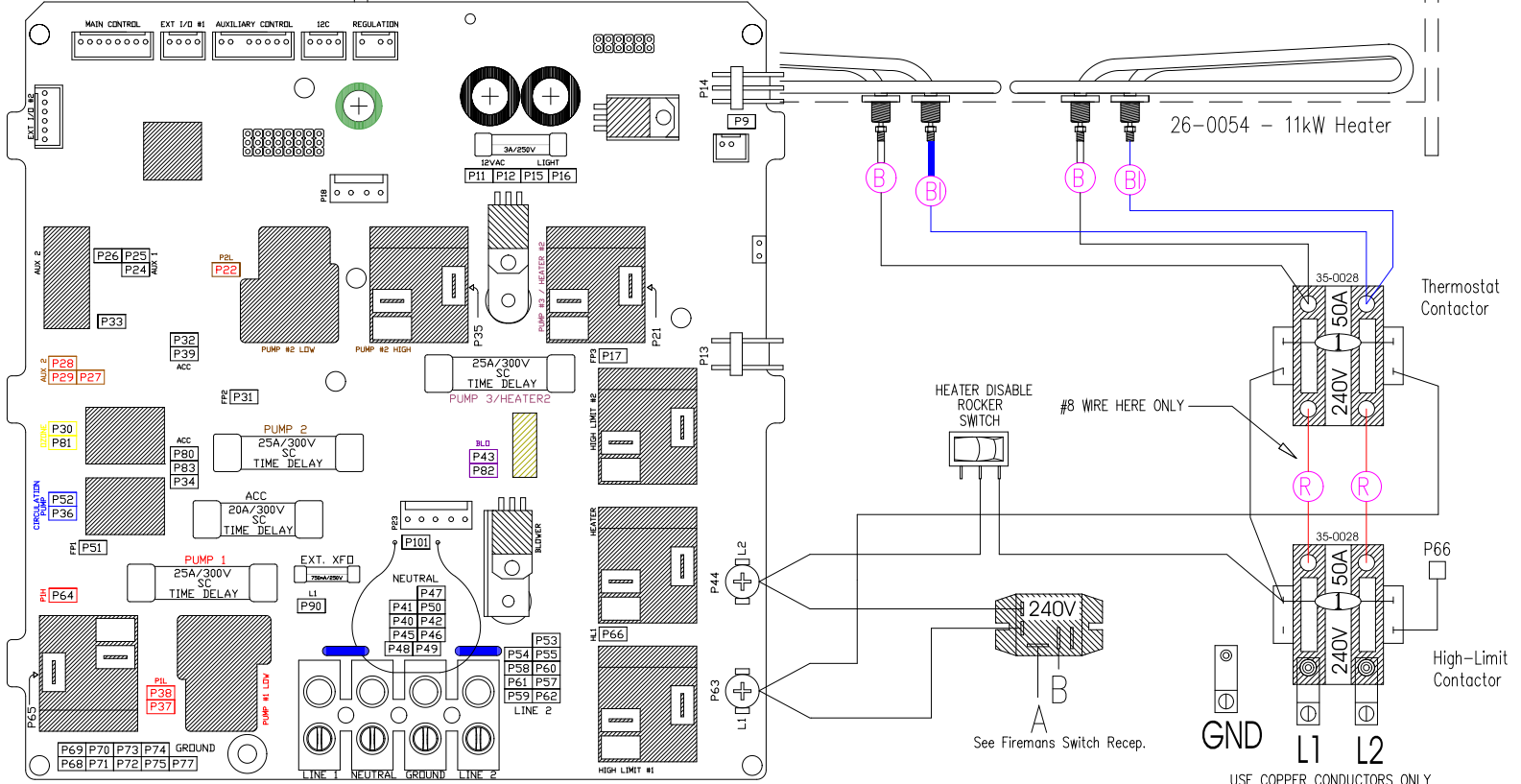


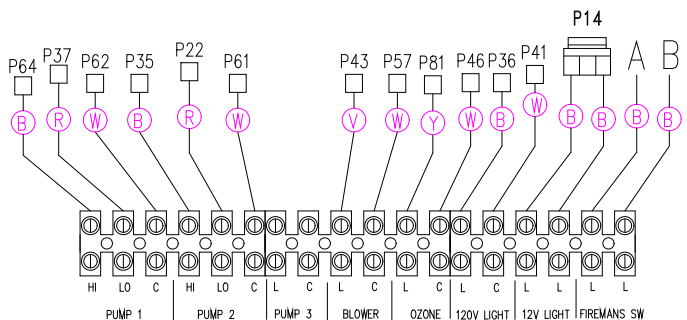
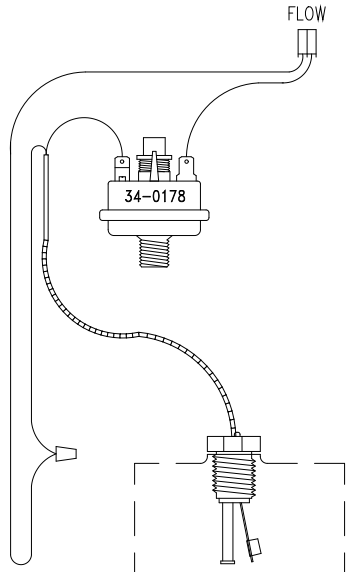
LEGEND

- - 1/4" QUICK CONNECT
- ▭ - 1/4" PIGGYBACK
- ⊞ - FORK CONNECTOR
- - RING CONNECTOR
- ◻ - SOCKET CONNECTOR
- △ - PIN CONNECTOR

33-0027-R1



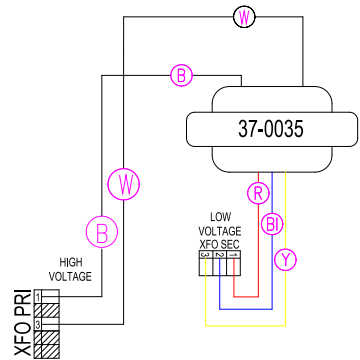
**MAIN INPUT SERVICE
SEE MANUAL**



COMPONENT CONNECTION STRIP - USE COPPER CONDUCTORS ONLY



ALL COMPONENTS MUST BE GROUNDED



USE COPPER CONDUCTORS ONLY
HEATER INPUT SERVICE
60 AMPS

HYDRO-QUIP
CORONA, CA (909) 273-7575

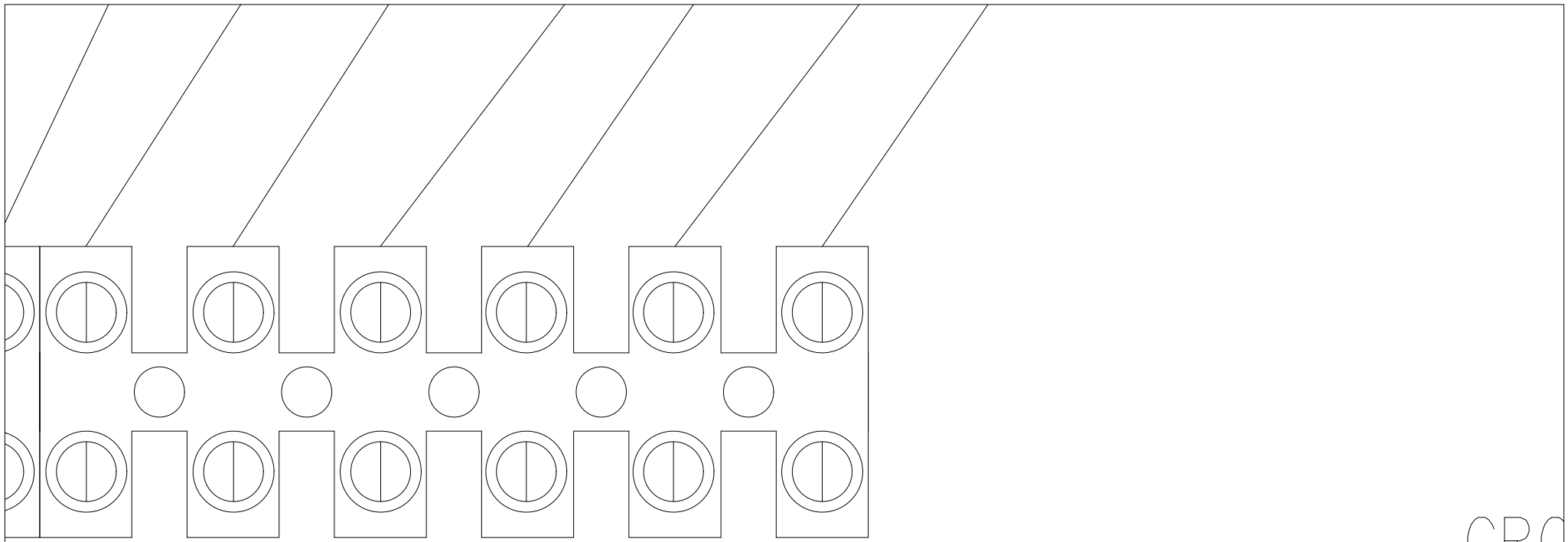
Manufacture Notes:

Dwg. No.
G822A0-KLPQY-J

Drawn
MBS
Date
03.23.11
Rev
03
Diagram No.
5162

Wire Color Code

B - Black	G - Green
Br - Brown	Bl - Blue
R - Red	V - Violet
O - Orange	W - White
Y - Yellow	Gr - Gray



L

C

L

L

L

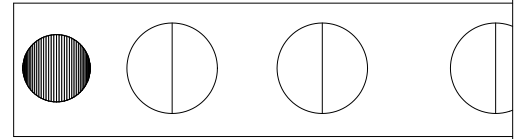
L

120V LIGHT

12V LIGHT

FIREMANS SW

GRO



**ALL CO

R CONDUCTORS ONLY

75

Manufacture Notes: